

TSM SERIES



FEATURES

- Shielded construction
- Frequency range up to 1.0 MHz
- Lowest DCR/ μH , in this package size
- Handles high transient current spikes without saturation
- Ultra low buzz noise, due to composite construction
- Compliant to RoHS Directive 2002/95/EC



RoHS
COMPLIANT

Part numbering system

TSM 0420 - 3R3 M

A B C D

A : Series Name.

B : Dimension.

C : Inductance. (for example 3R3=3.3 μH)

D : Inductance Tolerance. (for example M= $\pm 20\%$)

- ⊙ All test Data is referenced to 25°C ambient.
- ⊙ Operating temperature range: -35°C to 125°C.
- ⊙ Irms: Typical Heat Rating DC Current would cause an approximately ΔT of 40°C.
- ⊙ Isat: Typical Saturation DC Current would cause L_o to drop approximately 30%.
- ⊙ The Part temperature (ambient + ΔT) should not exceed 125°C under worst case operating conditions.
- ⊙ Circuit design, component placement, PWB trace size and thickness, airflow and other cooling provisions all effect the part temperature. Part temperature should be verified in the end application.

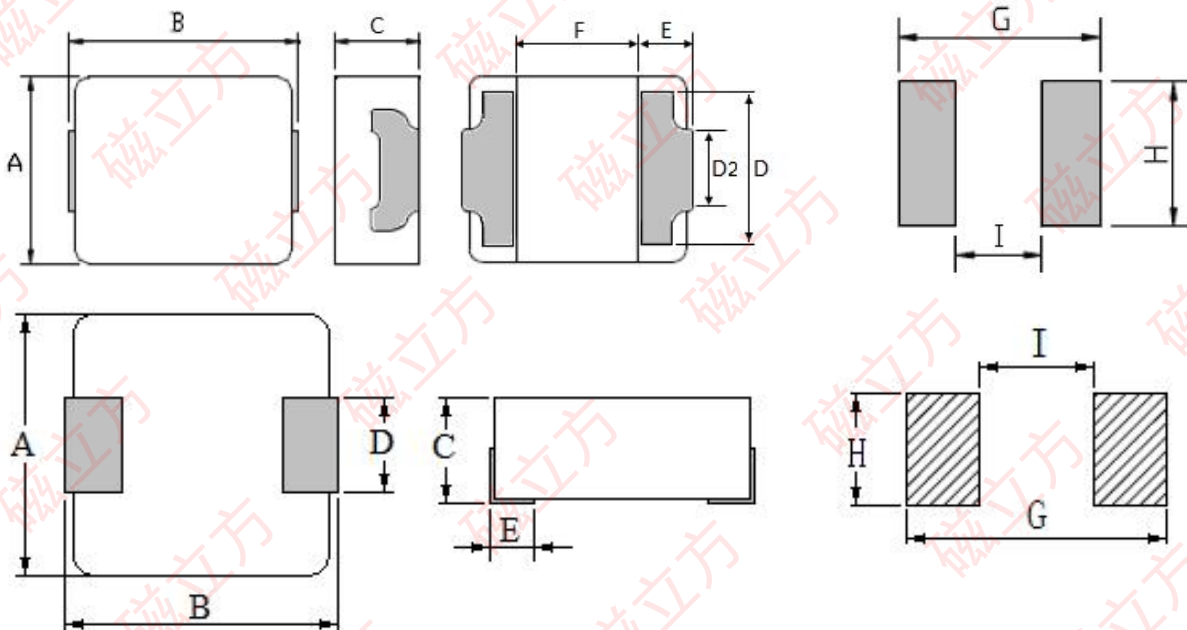


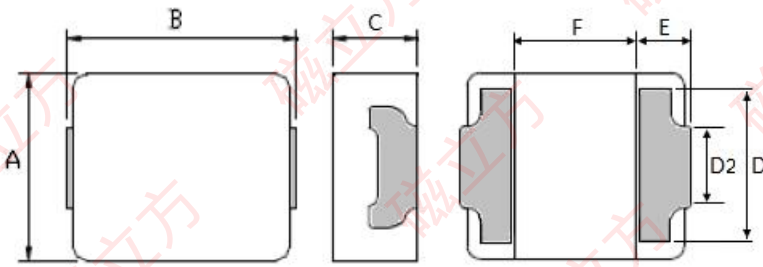
图 1

图 2

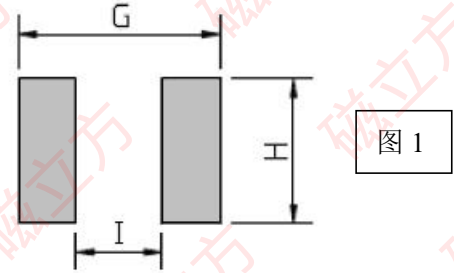


TSM SERIES

Dimension (Unit:mm)



Land Pattern (Unit:mm)



系列	尺寸	A	B	C	D	E	G	H	I	Packing (Pcs/Reel)
TSM252012		2.0±0.2	2.5±0.2	1.2±0.1	1.8±0.2	0.6±0.1	2.8REF	2.0REF	1.2REF	3000
TSM0410		4.0±0.2	4.0±0.2	1.0Max	1.8±0.2	0.6±0.1	4.6REF	2.0REF	2.8REF	3000

Electrical Characteristics:

TEST CONDITION: AT 25°C: 1.0MHz/0.1V

PART NO.	L(0A) (uH±20%)	I _{rms} (Amperes)	I _{sat} (Amperes)	DCR (mΩ)TYPE	DCR (mΩ)MAX	REMARKS, COATING COLOR
TSM252012-R24M	0.24	7.5	8.1	11.0	15.0	NEW
TSM252012-R33M	0.33	6.0	7.2	15.0	20.0	NEW
TSM252012-R47M	0.47	4.5	5.6	22.0	26.0	NEW
TSM252012-R68M	0.68	4.3	4.9	29.0	35.0	NEW
TSM252012-1R0M	1.0	3.4	3.8	45.0	58.0	NEW
TSM252012-1R5M	1.5	2.8	3.2	60.0	72.0	NEW
TSM252012-2R2M	2.2	2.6	2.8	85.0	102	NEW
TSM252012-3R3M	3.3	2.1	2.5	130	156	NEW
TSM252012-4R7M	4.7	1.6	2.0	185	222	NEW
TSM252012-6R8M	6.8	1.5	1.6	260	312	NEW
TSM0410-R24M	0.24	7.0	10.0	10.0	12.0	NEW
TSM0410-R33M	0.33	6.4	8.4	14.0	17.0	NEW
TSM0410-R47M	0.47	5.8	7.5	17.0	20.0	NEW
TSM0410-R68M	0.68	4.7	6.0	27.0	32.0	NEW
TSM0410-1R0M	1.0	3.2	4.4	45.0	54.0	NEW
TSM0410-2R2M	2.2	2.4	3.3	80.0	96.0	NEW
TSM0410-4R7M	4.7	1.7	2.4	155.0	186.0	NEW
TSM0410-6R8M	6.8	1.5	2.1	210.0	255.0	NEW
TSM0410-100M	10.0	1.4	2.0	270.0	336.0	NEW

以上为新品。

The above is a new product.

TSM SERIES

Mechanical dimension: (Unit: mm)

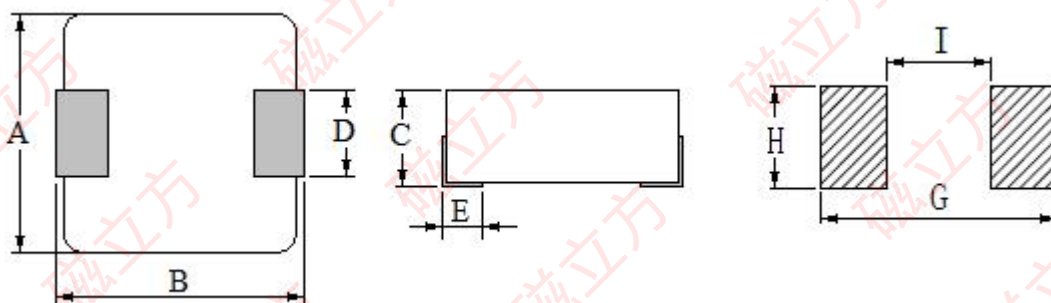


图 2

Mechanical dimension and packing:

系列	尺寸	A	B	C	D	E	G	H	I	Packing (Pcs/Reel)
TSM0412		4.0±0.3	4.5±0.3	1.2Max	1.5±0.3	0.8±0.3	5.0REF	2.3REF	1.7REF	3000
TSM0415		4.0±0.3	4.5±0.3	1.5Max	1.5±0.3	0.8±0.3	5.0REF	2.3REF	1.7REF	3000
TSM0420		4.0±0.3	4.5±0.3	2.0Max	1.5±0.3	0.8±0.3	5.0REF	2.3REF	1.7REF	3000
TSM0520		4.7±0.3	5.3±0.4	2.0Max	2.0±0.5	1.0±0.5	6.0REF	2.8REF	2.0REF	3000
TSM0530		4.7±0.3	5.3±0.4	3.0Max	2.0±0.5	1.0±0.5	6.0REF	2.8REF	2.0REF	2000
TSM0550		4.7±0.3	5.3±0.4	5.0Max	2.0±0.5	1.0±0.5	6.0REF	2.8REF	2.0REF	1500
T SMA612		6.0±0.3	6.0±0.3	1.2Max	3.8±0.5	1.8±0.5	7.2REF	4.5REF	2.4REF	2000
T SMA630		6.0±0.3	6.5±0.5	3.0Max	2.5±0.5	1.3±0.5	7.2REF	3.2REF	3.0REF	1000
T SMA640		6.0±0.3	6.5±0.5	4.0Max	2.5±0.5	1.3±0.5	7.2REF	3.2REF	3.0REF	1000
TSM0618		6.6±0.3	7.2±0.5	1.8Max	3.0±0.5	1.6±0.5	8.0REF	3.8REF	3.7REF	2000
TSM0620		6.6±0.3	7.2±0.5	2.0Max	3.0±0.5	1.6±0.5	8.0REF	3.8REF	3.7REF	2000
TSM0624		6.6±0.3	7.2±0.5	2.4Max	3.0±0.5	1.6±0.5	8.0REF	3.8REF	3.7REF	2000
TSM0630		6.6±0.3	7.2±0.5	3.0Max	3.0±0.5	1.6±0.5	8.0REF	3.8REF	3.7REF	1000
TSM0630A		6.6±0.3	7.2±0.5	3.0Max	3.0±0.5	1.6±0.5	8.0REF	3.8REF	3.7REF	1000
TSM0640		6.6±0.3	7.2±0.5	4.0Max	3.0±0.5	1.6±0.5	8.0REF	3.8REF	3.7REF	1000
TSM0650		6.6±0.3	7.2±0.5	5.0Max	3.0±0.5	1.6±0.5	8.0REF	3.8REF	3.7REF	1000
TSM1040		10±0.5	11.5±1.0	4.0Max	3.0±0.5	2.2±0.5	13.0REF	3.8REF	6.0REF	1000
TSM1050		10±0.5	11.5±1.0	5.0Max	3.0±0.5	2.2±0.5	13.0REF	3.8REF	6.0REF	800
TSM1235		12.8±0.5	13.5±1.0	4.0Max	3.8±0.5	2.5±0.5	14.5REF	5.0REF	7.0REF	500
TSM1250		12.8±0.5	13.5±1.0	5.0Max	3.8±0.5	2.5±0.5	14.5REF	5.0REF	7.0REF	500
TSM1265		12.8±0.5	13.5±1.0	6.5Max	3.8±0.5	2.5±0.5	14.5REF	5.0REF	7.0REF	500
TSM1770		17.2Max	18.0±0.5	7.2Max	11.9±0.3	2.7±0.5	19.5REF	13REF	11REF	300



TSM SERIES

Electrical Characteristics: TEST CONDITION: AT 25oC: 100KHz/0.1V

PART NO.	L(0A) (uH±20%)	I _{rms} (Amperes)	I _{sat} (Amperes)	DCR (mΩ)TYPE	DCR (mΩ)MAX	REMARKS,COATING COLOR
TSM0412-R47M	0.47	4.5	6.0	24.0	30.0	Unconventional
TSM0412-R68M	0.68	3.5	5.0	36.0	41.0	Unconventional
TSM0412-1R0M	1.0	2.5	5.0	60.0	79.0	Unconventional
TSM0412-1R5M	1.5	2.0	3.5	74.0	80.0	Unconventional
TSM0412-2R2M	2.2	2.0	3.0	96.0	110.0	Unconventional
TSM0415-R47M	0.47	5.0	9.0	20.0	27.0	Unconventional
TSM0415-1R0M	1.0	4.0	6.0	39.0	50.0	Unconventional
TSM0415-1R5M	1.5	3.5	5.5	48.0	63.0	Unconventional
TSM0415-2R2M	2.2	2.5	4.0	67.0	86.0	Unconventional
TSM0415-3R3M	3.3	2.0	3.5	116.0	156.0	Unconventional
TSM0420-R10M	0.10	12.0	25.0	5.5	8.0	
TSM0420-R22M	0.22	10.0	14.0	6.3	10.0	
TSM0420-R36M	0.36	8.0	11.0	8.6	12.0	
TSM0420-R47M	0.47	7.0	9.5	11.0	14.0	
TSM0420-R56M	0.56	6.5	9.0	13.0	20.0	
TSM0420-1R0M	1.0	4.5	7.0	21.0	28.0	
TSM0420-1R2M	1.2	4.0	7.0	23.0	32.0	
TSM0420-1R5M	1.5	4.0	6.0	28.0	38.0	
TSM0420-2R2M	2.2	3.0	5.0	42.0	52.0	
TSM0420-3R3M	3.3	2.5	4.0	60.0	80.0	
TSM0420-4R7M	4.7	2.0	3.0	118.0	150.0	
TSM0420-5R6M	5.6	1.8	2.0	126.0	150.0	
TSM0420-6R8M	6.8	1.8	2.0	130.0	170.0	
TSM0420-100M	10.0	1.5	2.0	225.0	280.0	
TSM0520-R47M	0.47	8.0	12.5	10.5	15.0	
TSM0520-R68M	0.68	7.0	10.0	14.0	20.0	
TSM0520-1R0M	1.0	6.0	8.0	15.0	21.0	
TSM0520-1R2M	1.2	5.0	8.0	17.0	27.0	
TSM0520-1R5M	1.5	4.0	6.0	20.0	26.0	
TSM0520-2R2M	2.2	3.5	6.0	32.0	42.0	
TSM0520-3R3M	3.3	3.5	5.5	44.0	58.0	
TSM0520-4R7M	4.7	3.2	4.5	68.0	90.0	
TSM0520-5R6M	5.6	3.0	4.0	75.0	97.0	
TSM0520-6R8M	6.8	2.0	3.5	96.0	130.0	
TSM0520-100M	10.0	2.0	3.0	170.0	221.0	



TSM SERIES

Electrical Characteristics: **TEST CONDITION:** **AT 25oC: 100KHz/0.1V**

PART NO.	L(OA) (uH±20%)	I _{rms} (Amperes)	I _{sat} (Amperes)	DCR (mΩ)TYPE	DCR (mΩ)MAX	REMARKS, COATING COLOR
TSM0530-R68M	0.68	8.5	14.0	11.0	12.5	
TSM0530-1R0M	1.0	7.0	11.0	13.0	15.0	
TSM0530-1R5M	1.5	6.0	10.0	20.0	25.0	
TSM0530-2R2M	2.2	5.5	9.0	26.0	32.0	
TSM0530-3R3M	3.3	5.0	7.0	30.0	40.0	
TSM0530-4R7M	4.7	4.0	6.0	46.0	60.0	
TSM0530-5R6M	5.6	4.0	5.5	62.0	79.0	
TSM0530-6R8M	6.8	3.0	5.0	66.0	86.0	
TSM0530-100M	10.0	2.0	4.0	115.0	150.0	
TSM0550-100M	10.0	2.5	4.5	80.0	103.0	
TSM0550-150M	15.0	2.0	4.0	140.0	180.0	
TSM0550-220M	22.0	1.5	2.5	180.0	230.0	
TSM0550-330M	33.0	1.5	2.0	345.0	445.0	
TSM0550-470M	47.0	1.0	2.0	404.0	527.0	
TSM0550-560M	56.0	0.8	1.0	456.0	600.0	
T SMA612-R10M	0.10	13.0	25.0	4.0	4.8	NEW
T SMA612-R47M	0.47	7.0	13.0	16.0	19.2	NEW
T SMA612-3R3M	3.3	3.2	5.2	90.0	108.0	NEW
T SMA612-4R7M	4.7	2.5	4.5	110.0	132.0	NEW
T SMA612-6R8M	6.8	2.1	3.8	160.0	192.0	NEW
T SMA612-100M	10.0	1.9	2.8	250.0	300.0	NEW
T SMA630-R68M	0.68	11.0	16.0	12.0	16.0	
T SMA630-1R5M	1.5	9.0	12.0	16.0	22.0	
T SMA630-2R2M	2.2	8.0	11.0	17.0	20.0	
T SMA630-2R7M	2.7	6.0	8.0	25.0	34.0	
T SMA630-3R3M	3.3	5.0	7.0	32.0	45.0	
T SMA630-4R7M	4.7	5.5	7.0	34.0	45.0	
T SMA630-5R6M	5.6	4.0	6.0	54.0	70.0	
T SMA630-6R8M	6.8	5.0	7.0	63.0	84.0	
T SMA630-100M	10.0	4.0	6.0	75.0	100.0	
T SMA640-150M	15.0	3.0	4.0	96.0	120.0	
T SMA640-180M	18.0	2.0	3.0	120.0	160.0	
T SMA640-220M	22.0	2.0	3.0	125.0	170.0	
T SMA640-470M	47.0	1.5	2.0	260.0	345.0	



TSM SERIES

Electrical Characteristics: TEST CONDITION: AT 25oC: 100KHz/0.1V

PART NO.	L(0A) (uH±20%)	Irms (Amperes)	Isat (Amperes)	DCR (mΩ)TYPE	DCR (mΩ)MAX	REMARKS,COATING COLOR
TSM0618-1R0M	1.0	7.0	14.0	22.0	25.0	Unconventional
TSM0618-1R5M	1.5	5.5	12.0	32.0	36.0	Unconventional
TSM0618-2R2M	2.2	4.0	11.0	41.0	46.0	Unconventional
TSM0618-3R3M	3.3	3.5	8.0	71.0	80.0	Unconventional
TSM0618-4R7M	4.7	3.5	5.0	75.0	100.0	Unconventional
TSM0618-5R6M	5.6	2.8	3.8	99.0	120.0	Unconventional
TSM0618-6R8M	6.8	2.8	3.5	99.0	120.0	Unconventional
TSM0620-1R0M	1.0	7.0	14.0	16.0	21.0	
TSM0620-1R5M	1.5	7.0	10.0	17.0	22.0	
TSM0620-2R2M	2.2	5.0	8.0	23.0	28.0	
TSM0620-3R3M	3.3	4.0	7.0	31.0	39.0	
TSM0620-4R7M	4.7	3.5	5.5	41.0	50.0	
TSM0620-5R6M	5.6	3.0	4.5	87.0	115.0	
TSM0620-6R8M	6.8	2.5	4.0	110.0	132.0	
TSM0620-8R2M	8.2	2.2	3.5	168.0	217.0	
TSM0620-100M	10.0	2.0	3.5	191.0	220.0	
TSM0624-1R0M	1.0	9.0	12.0	11.2	13.5	Unconventional
TSM0624-1R5M	1.5	7.0	10.0	17.0	20.0	Unconventional
TSM0624-2R2M	2.2	5.0	8.0	23.0	28.0	Unconventional
TSM0624-3R3M	3.3	4.0	7.0	31.0	39.0	Unconventional
TSM0624-4R7M	4.7	3.5	5.5	41.0	50.0	Unconventional
TSM0624-100M	10.0	2.0	3.5	91.0	120.0	Unconventional
TSM0630-R10M	0.10	32.5	60.0	1.5	1.7	
TSM0630-R15M	0.15	26.0	52.0	1.9	2.5	
TSM0630-R20M	0.20	24.0	41.0	2.4	3.0	
TSM0630-R22M	0.22	23.0	40.0	2.5	3.0	
TSM0630-R33M	0.33	20.0	30.0	3.5	4.0	
TSM0630-R47M	0.47	17.5	26.0	4.0	4.5	
TSM0630-R68M	0.68	15.5	25.0	5.0	5.5	
TSM0630-R82M	0.82	13.0	24.0	6.7	8.0	
TSM0630-1R0M	1.0	11.0	22.0	9.0	10.0	
TSM0630-1R5M	1.5	9.0	18.0	14.0	15.5	
TSM0630-2R2M	2.2	8.0	14.0	18.0	20.0	
TSM0630-3R3M	3.3	6.0	13.5	28.0	32.0	
TSM0630-4R7M	4.7	5.5	10.0	37.0	40.0	
TSM0630-5R6M	5.6	5.0	8.0	47.0	60.0	
TSM0630-6R8M	6.8	4.5	8.0	54.0	60.0	
TSM0630-8R2M	8.2	4.0	7.5	64.0	68.0	
TSM0630-100M	10.0	3.0	7.0	102.0	105.0	



TSM SERIES

Electrical Characteristics: TEST CONDITION: AT 25oC: 100KHz/0.1V

PART NO.	L(0A) (uH±20%)	Irms (Amperes)	Isat (Amperes)	DCR (mΩ)TYPE	DCR (mΩ)MAX	REMARKS,COATING COLOR
TSM0630A-1R0M	1.0	12.5	9.5	7.6	8.5	Unconventional
TSM0630A-1R5M	1.5	10.5	8.0	11.7	13.5	Unconventional
TSM0630A-2R2M	2.2	9.0	7.0	15.7	17.0	Unconventional
TSM0630A-3R3M	3.3	7.0	6.5	24.8	26.8	Unconventional
TSM0630A-4R7M	4.7	6.0	4.0	31.8	34.0	Unconventional
TSM0630A-6R8M	6.8	5.5	4.0	44.8	46.8	Unconventional
TSM0630A-8R2M	8.2	5.0	4.0	52.3	57.0	Unconventional
TSM0630A-100M	10.0	4.0	3.5	67.8	72.0	Unconventional
TSM0630A-220M	22.0	2.9	2.5	128.9	135.0	Unconventional
TSM0640-R33M	0.33	20.0	30.0	2.0	2.5	
TSM0640-R56M	0.56	17.0	25.0	3.6	4.5	
TSM0640-R68M	0.68	13.0	15.0	3.8	4.5	
TSM0640-1R5M	1.5	10.0	19.0	13.5	16.0	
TSM0640-2R2M	2.2	8.5	16.0	15.0	18.0	
TSM0640-3R3M	3.3	7.0	13.0	21.0	25.0	
TSM0640-4R7M	4.7	6.0	10.0	23.0	30.0	
TSM0650-R36M	0.36	21.0	25.0	3.2	3.5	
TSM0650-R56M	0.56	20.0	18.0	3.4	3.6	
TSM0650-R68M	0.68	18.0	17.0	3.9	4.2	
TSM0650-R82M	0.82	16.5	16.0	4.6	4.9	
TSM0650-1R0M	1.0	13.0	15.0	5.6	6.5	
TSM0650-1R5M	1.5	8.0	14.0	8.5	12.0	
TSM0650-2R2M	2.2	8.0	12.0	11.2	12.5	
TSM0650-3R3M	3.3	7.0	8.0	19.9	20.9	
TSM0650-4R7M	4.7	6.5	7.0	23.0	25.0	
TSM0650-6R8M	6.8	5.0	9.0	33.0	45.0	
TSM0650-100M	10.0	4.0	5.3	61.0	80.0	
TSM0650-150M	15.0	2.5	4.0	90.0	120.0	
TSM0650-220M	22.0	2.2	4.0	108.0	140.0	
TSM0650-330M	33.0	2.0	4.0	160.0	210.0	
TSM0650-470M	47.0	2.0	3.0	192.0	247.0	



TSM SERIES

Electrical Characteristics: TEST CONDITION: AT 25oC: 100KHz/0.1V

PART NO.	L(0A) (uH±20%)	Irms (Amperes)	Isat (Amperes)	DCR (mΩ)TYPE	DCR (mΩ)MAX	REMARKS,COATING COLOR
TSM1040-R36M	0.36	30.0	50.0	1.05	1.2	
TSM1040-R47M	0.47	28.0	40.0	1.5	1.8	
TSM1040-R56M	0.56	25.0	33.0	1.6	2.0	
TSM1040-R68M	0.68	23.0	30.0	2.1	2.5	
TSM1040-R88M	0.88	20.0	29.0	2.4	2.7	
TSM1040-1R0M	1.0	18.0	28.0	3.0	3.5	
TSM1040-1R5M	1.5	16.0	32.0	3.8	4.5	
TSM1040-2R2M	2.2	12.0	18.0	6.4	7.0	
TSM1040-3R3M	3.3	10.0	16.0	10.8	12.8	
TSM1040-4R7M	4.7	8.5	13.0	17.0	20.0	
TSM1040-5R6M	5.6	8.0	11.0	20.0	23.0	
TSM1040-6R8M	6.8	7.8	10.0	22.5	25.0	
TSM1040-8R2M	8.2	7.5	9.0	27.0	31.0	
TSM1040-100M	10.0	7.0	8.5	31.0	36.0	
TSM1040-150M	15.0	5.5	6.5	48.5	56.0	
TSM1040-220M	22.0	5.0	6.0	59.0	68.5	
TSM1040-330M	33.0	4.0	5.0	85.0	98.0	
TSM1040-470M	47.0	3.0	4.0	130.0	150.0	
TSM1040-680M	68.0	2.5	3.5	213.0	240.0	
TSM1040-820M	82.0	2.0	3.0	265.0	300.0	
TSM1040-101M	100.0	1.5	2.0	330.0	370.0	
TSM1050-100M	10.0	8.0	10.5	23.0	28.0	
TSM1050-150M	15.0	3.6	6.0	35.0	50.0	
TSM1050-220M	22.0	4.0	6.0	73.0	92.0	
TSM1050-330M	33.0	3.0	5.0	107.0	120.0	
TSM1050-470M	47.0	3.0	4.0	160.0	210.0	
TSM1050-680M	68.0	3.0	4.0	240.0	300.0	
TSM1050-101M	100.0	2.0	3.0	320.0	400.0	



TSM SERIES

Electrical Characteristics: TEST CONDITION: AT 25oC: 100KHz/0.1V

PART NO.	L(0A) (uH±20%)	Irms (Amperes)	Isat (Amperes)	DCR (mΩ)TYPE	DCR (mΩ)MAX	REMARKS,COATING COLOR
TSM1235-R22M	0.22	38.0	65.0	1.1	1.3	
TSM1235-R33M	0.33	36.5	62.0	1.3	1.5	
TSM1235-R39M	0.39	34.0	60.0	1.1	1.3	
TSM1235-R47M	0.47	32.0	55.0	1.7	2.0	
TSM1235-R56M	0.56	29.0	51.0	1.8	2.2	
TSM1235-R62M	0.62	29.0	51.0	1.8	2.2	
TSM1235-R68M	0.68	28.0	49.0	2.3	2.5	
TSM1235-1R0M	1.0	24.0	40.0	3.3	3.5	
TSM1235-1R5M	1.5	19.0	35.0	5.1	5.5	
TSM1235-2R2M	2.2	16.0	29.0	7.2	8.0	
TSM1235-3R3M	3.3	12.0	27.0	10.0	12.0	
TSM1235-4R7M	4.7	11.0	20.0	17.0	26.0	
TSM1250-R22M	0.22	51.0	110.0	0.64	0.8	
TSM1250-R33M	0.33	40.0	74.0	0.9	1.2	
TSM1250-R36M	0.36	40.0	70.0	0.9	1.2	
TSM1250-R47M	0.47	38.0	68.0	1.1	1.4	
TSM1250-R56M	0.56	37.0	65.0	1.3	1.6	
TSM1250-R68M	0.68	37.0	63.0	1.3	1.6	
TSM1250-R82M	0.82	31.0	53.0	1.8	2.1	
TSM1250-1R0M	1.0	29.0	49.0	2.1	2.5	
TSM1250-1R2M	1.2	25.0	47.0	2.6	3.0	
TSM1250-1R5M	1.5	24.0	44.0	3.1	3.6	
TSM1250-2R2M	2.2	21.5	33.0	4.1	4.8	
TSM1250-3R3M	3.3	18.5	27.0	5.4	6.3	
TSM1250-4R7M	4.7	14.0	23.0	9.2	10.5	
TSM1250-6R8M	6.8	11.0	19.0	14.1	17.0	
TSM1250-100M	10.0	9.5	16.5	19.0	22.0	
TSM1250-150M	15.0	7.0	13.5	32.0	38.0	
TSM1250-220M	22.0	6.0	9.5	44.8	52.0	
TSM1250-330M	33.0	8.0	8.0	75.0	85.0	
TSM1250-470M	47.0	4.0	7.0	108.0	120.0	
TSM1250-560M	56.0	3.3	6.5	138.5	155.0	
TSM1250-680M	68.0	3.0	6.0	152.5	170.0	



TSM SERIES

Electrical Characteristics: **TEST CONDITION:** **AT 25°C: 100KHz/0.1V**

PART NO.	L(0A) (uH±20%)	I _{rms} (Amperes)	I _{sat} (Amperes)	DCR (mΩ)TYPE	DCR (mΩ)MAX	REMARKS, COATING COLOR
TSM1265-R22M	0.22	48.0	100.0	0.70	0.8	
TSM1265-R30M	0.30	48.0	72.0	0.70	0.8	
TSM1265-R33M	0.33	45.0	65.0	0.83	0.95	
TSM1265-R36M	0.36	45.0	64.5	0.83	0.95	
TSM1265-R40M	0.40	41.0	64.0	1.0	1.2	
TSM1265-R47M	0.47	41.0	63.0	1.0	1.2	
TSM1265-R56M	0.56	38.0	67.0	1.1	1.4	
TSM1265-R68M	0.68	38.0	65.0	1.1	1.4	
TSM1265-R80M	0.80	34.0	57.0	1.6	2.0	
TSM1265-R82M	0.82	34.0	56.0	1.6	2.0	
TSM1265-1R0M	1.0	34.0	54.0	1.6	2.0	
TSM1265-1R2M	1.2	26.0	48.0	2.4	3.2	
TSM1265-1R5M	1.5	26.0	45.0	2.4	3.2	
TSM1265-1R8M	1.8	22.0	40.0	3.6	4.3	
TSM1265-2R2M	2.2	22.0	38.0	3.6	4.3	
TSM1265-3R3M	3.3	19.0	27.0	4.8	5.7	
TSM1265-4R7M	4.7	17.0	24.0	6.1	7.2	
TSM1265-5R6M	5.6	11.0	22.0	9.1	11.0	
TSM1265-6R8M	6.8	14.0	20.5	9.1	11.0	
TSM1265-7R8M	7.8	11.0	19.0	15.0	18.0	
TSM1265-8R2M	8.2	11.0	18.0	15.0	18.0	
TSM1265-100M	10.0	11.0	17.0	15.0	18.0	
TSM1265-150M	15.0	7.8	14.5	27.5	32.0	
TSM1265-180M	18.0	7.0	12.0	32.7	38.0	
TSM1265-220M	22.0	7.0	10.5	32.7	38.0	
TSM1265-330M	33.0	6.0	8.5	46.5	53.0	
TSM1265-470M	47.0	5.0	7.5	63.1	72.0	
TSM1265-560M	56.0	3.8	7.0	105.1	120.0	
TSM1265-680M	68.0	3.8	6.0	105.1	120.0	
TSM1265-101M	100.0	3.0	5.0	150.4	170.0	
TSM1265-151M	150.0	2.0	3.5	282.0	340.0	



TSM SERIES

Electrical Characteristics: TEST CONDITION: AT 25oC: 100KHz/0.1V

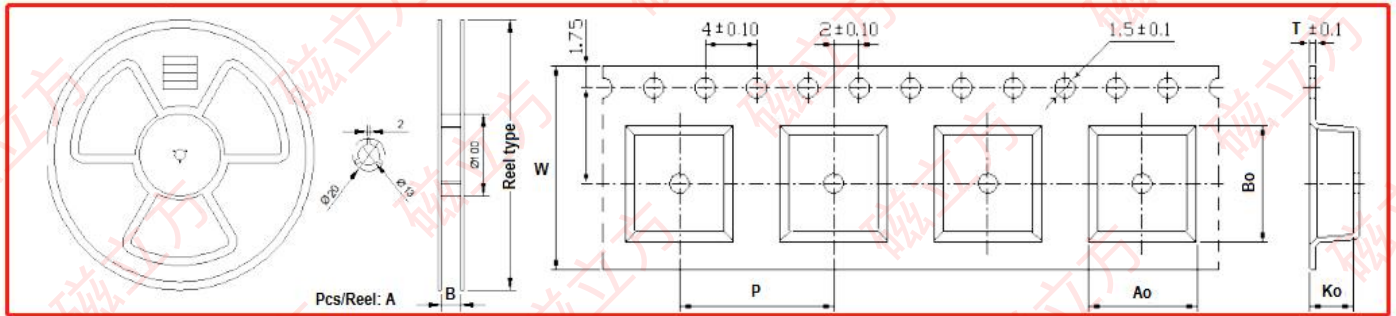
PART NO.	L(0A) (uH±20%)	Irms (Amperes)	Isat (Amperes)	DCR (mΩ)TYPE	DCR (mΩ)MAX	REMARKS,COATIN G COLOR
TSM1770A-R22M	0.22	75.0	59.0	0.63	0.73	Unconventional
TSM1770A-R33M	0.33	75.5	55.0	0.63	0.73	
TSM1770A-R47M	0.47	72.0	57.0	0.78	0.87	
TSM1770A-R56M	0.56	61.0	66.0	0.83	0.91	
TSM1770A-R82M	0.82	56.5	45.0	0.98	1.08	
TSM1770A-1R0M	1.0	55.5	32.0	1.21	1.38	
TSM1770A-1R5M	1.5	48.0	31.0	1.54	1.62	
TSM1770A-1R8M	1.8	43.5	29.5	1.85	1.98	Unconventional
TSM1770A-2R2M	2.2	43.5	28.0	1.85	1.98	
TSM1770A-3R3M	3.3	35.0	27.0	2.79	2.93	
TSM1770A-4R7M	4.7	30.0	21.0	3.98	4.18	
TSM1770A-5R6M	5.6	28.0	21.0	4.23	4.44	
TSM1770A-6R8M	6.8	22.5	18.5	5.86	6.15	
TSM1770A-8R2M	8.2	21.0	18.0	7.71	8.10	
TSM1770A-100M	10.0	19.0	17.0	8.89	9.33	
TSM1770A-150M	15.0	14.0	12.0	13.7	14.4	
TSM1770A-220M	22.0	12.0	9.5	20.0	21.0	
TSM1770A-330M	33.0	10.7	9.0	35.1	37.0	
TSM1770A-470M	47.0	8.7	8.6	40.7	42.7	
TSM1770A-560M	56.0	7.2	4.2	55.0	57.8	
TSM1770A-680M	68.0	6.1	4.5	72.1	75.7	
TSM1770A-820M	82.0	5.5	4.5	87.3	91.7	
TSM1770A-101M	100.0	5.0	4.0	105.0	110.0	

备注：上表中未列出的型号规格，请电话联系我们咨询。
Note: unlisted model specifications in the above table, please contact us by telephone.



TSM SERIES

Packing Information:



Series	A(Pcs/Reel)	B	W	P	Ao	Bo	Ko	T	Reel Type
TSM252012	3000	8.5	8.0	4	2.3	2.8	1.3	0.3	7" 178mm
TSM0412	3000	12.5	12.0	8	4.3	4.8	1.4	0.4	13" 330mm
TSM0415	3000	12.5	12.0	8	4.3	4.8	1.7	0.4	13" 330mm
TSM0420	3000	12.5	12.0	8	4.3	4.8	2.2	0.4	13" 330mm
TSM0520	3000	12.5	12.0	8	5.5	6.0	2.2	0.4	13" 330mm
TSM0530	2000	12.5	12.0	8	5.5	6.0	3.2	0.4	13" 330mm
TSM0550	1500	12.5	12.0	8	5.5	6.0	5.2	0.4	13" 330mm
TSM A612	2000	16.5	16.0	12	6.6	7.3	1.4	0.4	13" 330mm
TSM A630	1000	16.5	16.0	12	6.6	7.3	3.2	0.4	13" 330mm
TSM A640	1000	16.5	16.0	12	6.6	7.3	4.2	0.4	13" 330mm
TSM0618	2000	16.5	16.0	12	7.2	8.0	2.0	0.4	13" 330mm
TSM0620	2000	16.5	16.0	12	7.2	8.0	2.2	0.4	13" 330mm
TSM0624	2000	16.5	16.0	12	7.2	8.0	2.6	0.4	13" 330mm
TSM0630	1000	16.5	16.0	12	7.2	8.0	3.2	0.4	13" 330mm
TSM0630A	1000	16.5	16.0	12	7.2	8.0	3.2	0.4	13" 330mm
TSM0640	1000	16.5	16.0	12	7.2	8.0	4.2	0.4	13" 330mm
TSM0650	1000	16.5	16.0	12	7.2	8.0	5.2	0.4	13" 330mm
TSM0850	1000	16.5	16.0	12	7.8	8.6	5.2	0.4	13" 330mm
TSM1040	1000	24.5	24.0	16	11.0	12.0	4.2	0.4	13" 330mm
TSM1050	800	24.5	24.0	16	11.0	12.0	5.2	0.4	13" 330mm
TSM1235	500	24.5	24.0	16	13.5	14.5	3.7	0.4	13" 330mm
TSM1250	500	24.5	24.0	16	13.5	14.5	5.2	0.4	13" 330mm
TSM1265	500	24.5	24.0	16	13.5	14.5	6.7	0.4	13" 330mm
TSM1770	300	32.5	32.0	20	17.8	19.2	7.2	0.5	13" 330mm